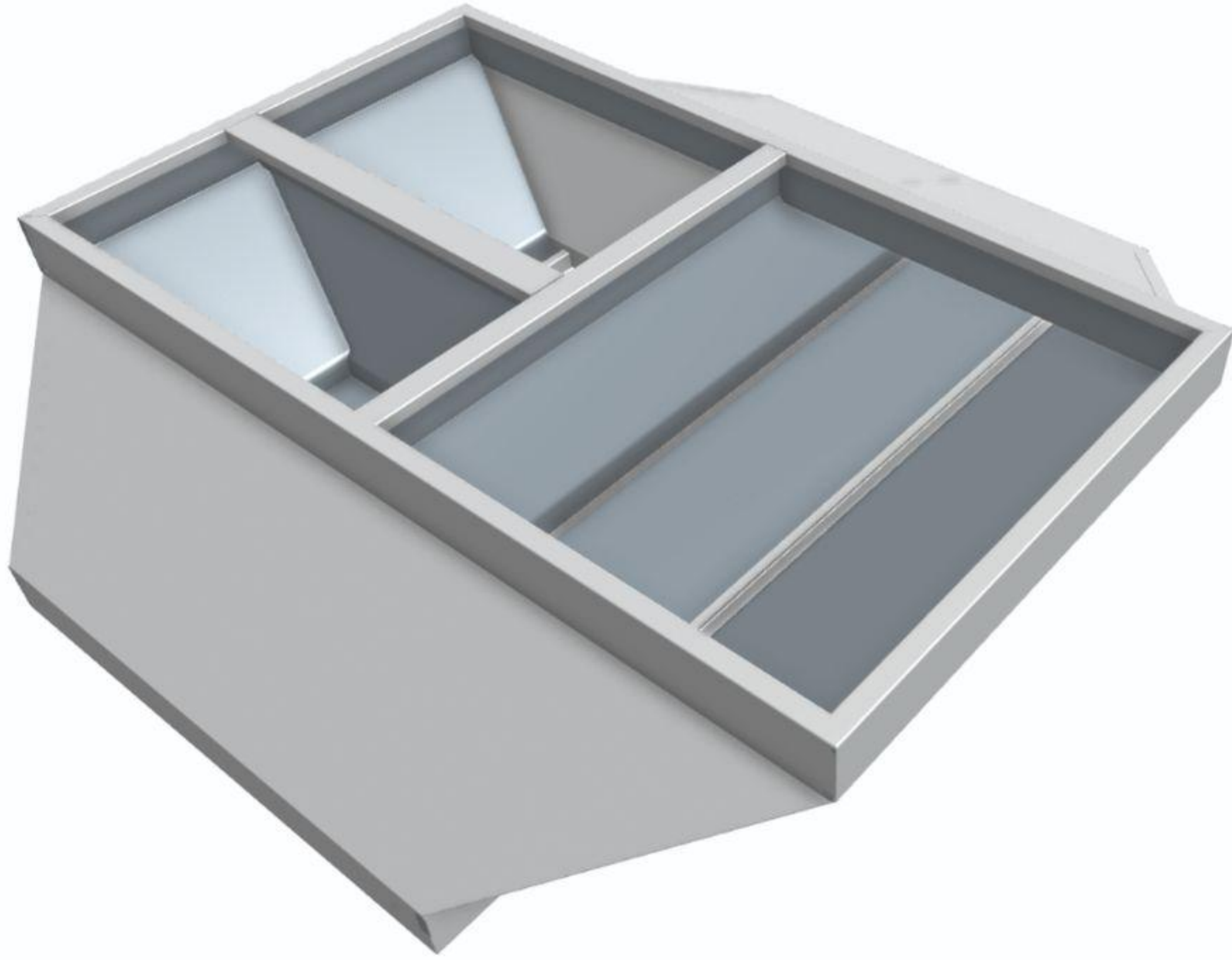
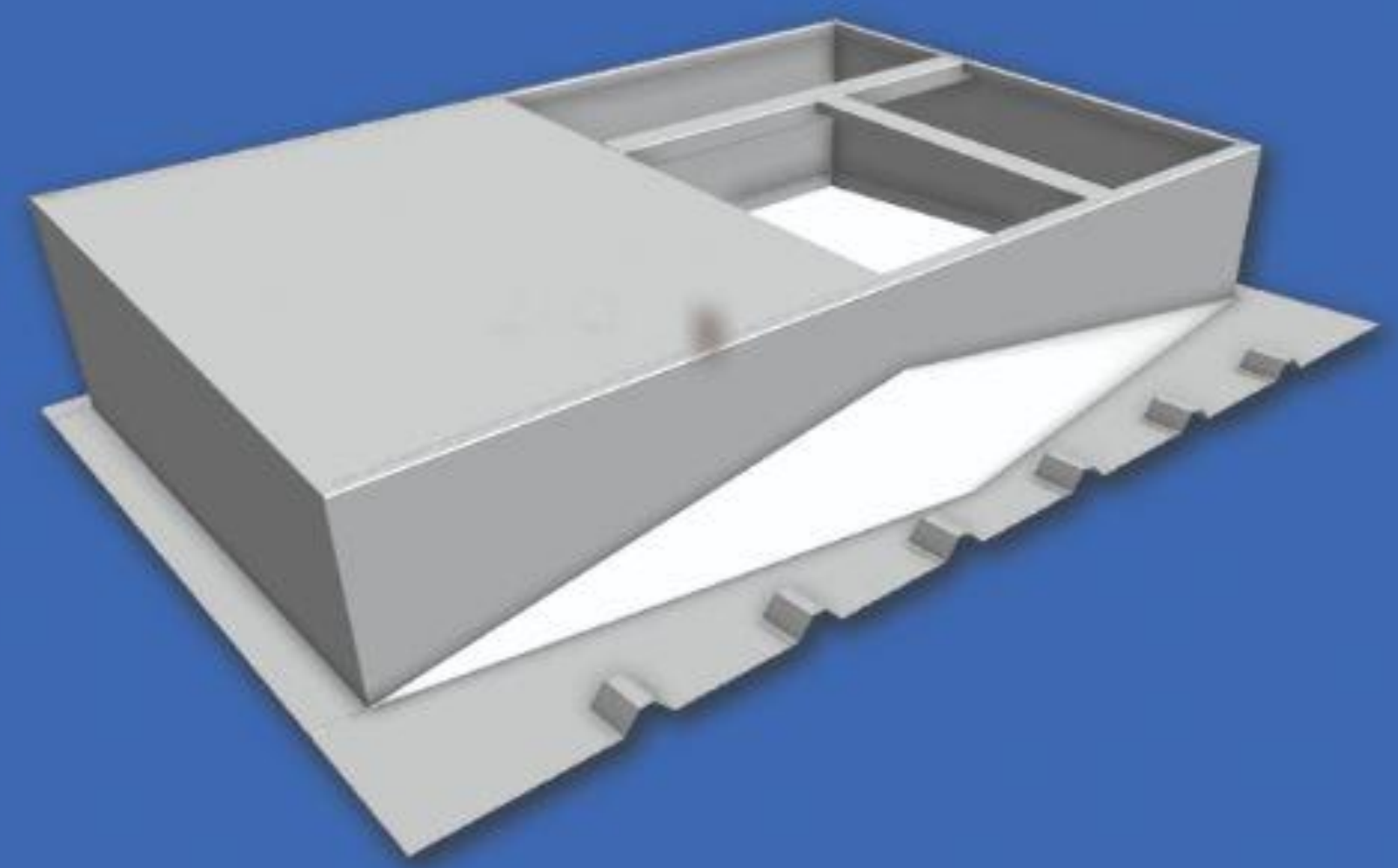
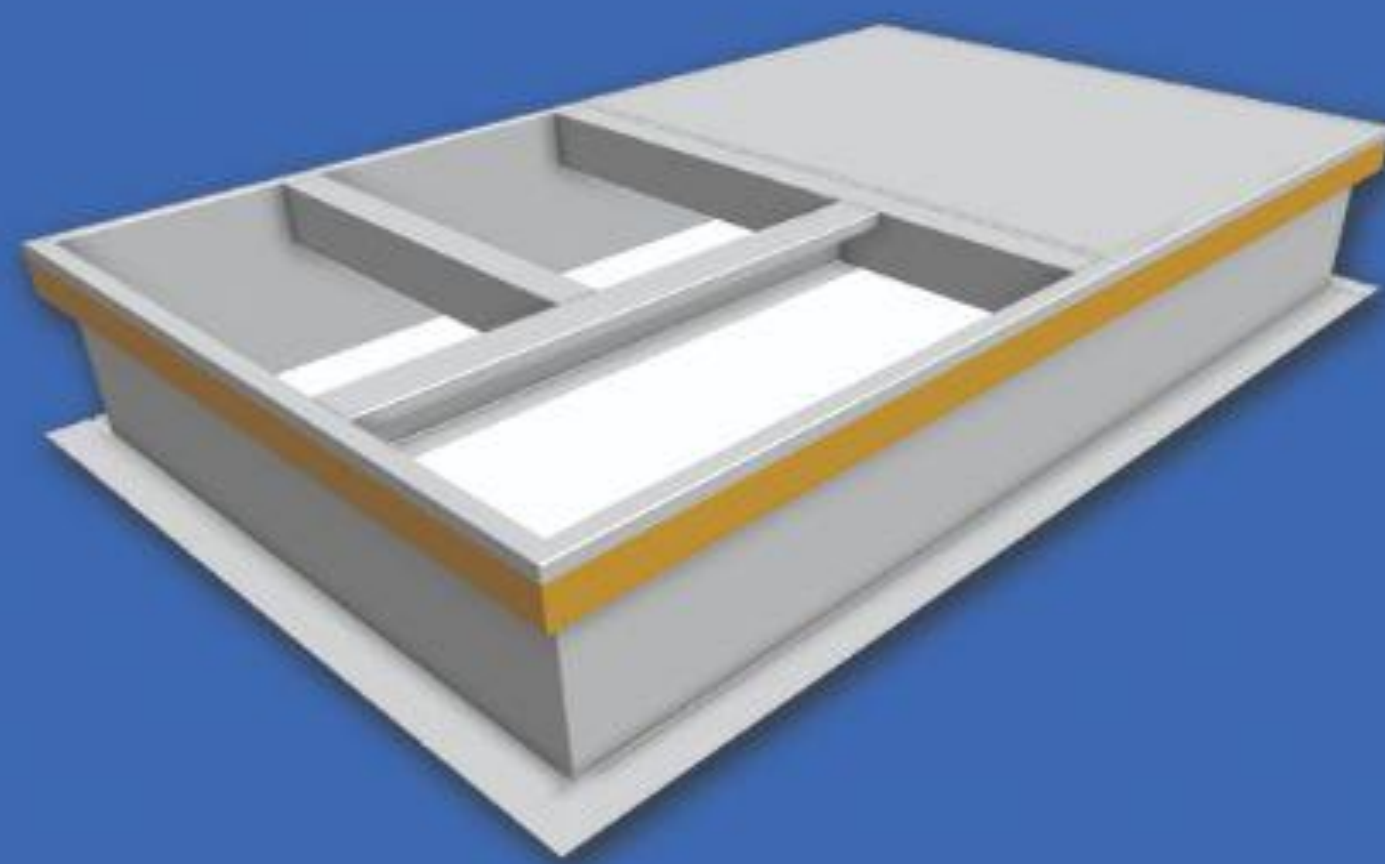
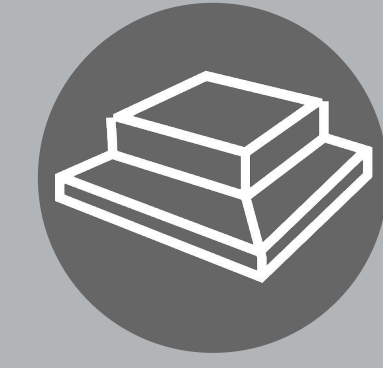


LINE CARD



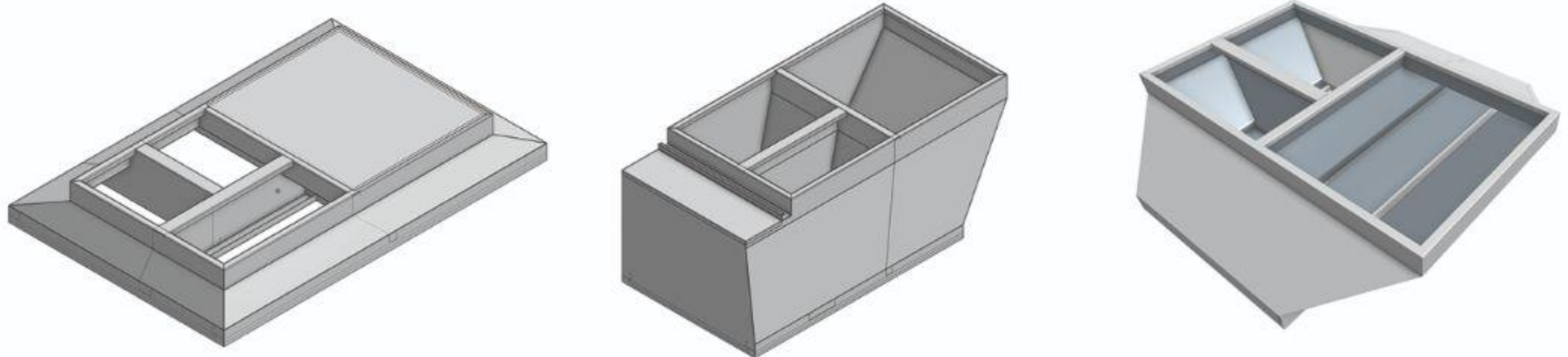
2024 LINE CARD



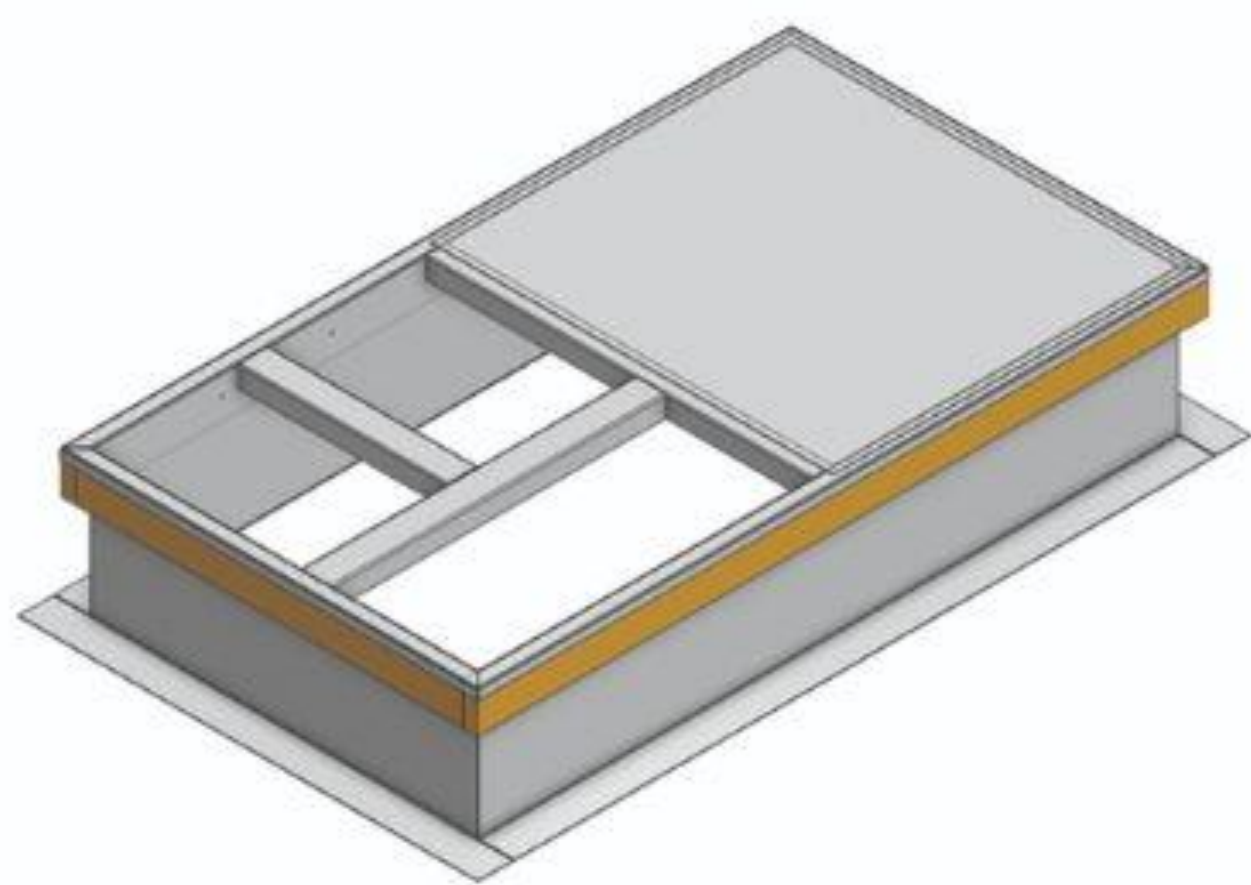


LINE CARD

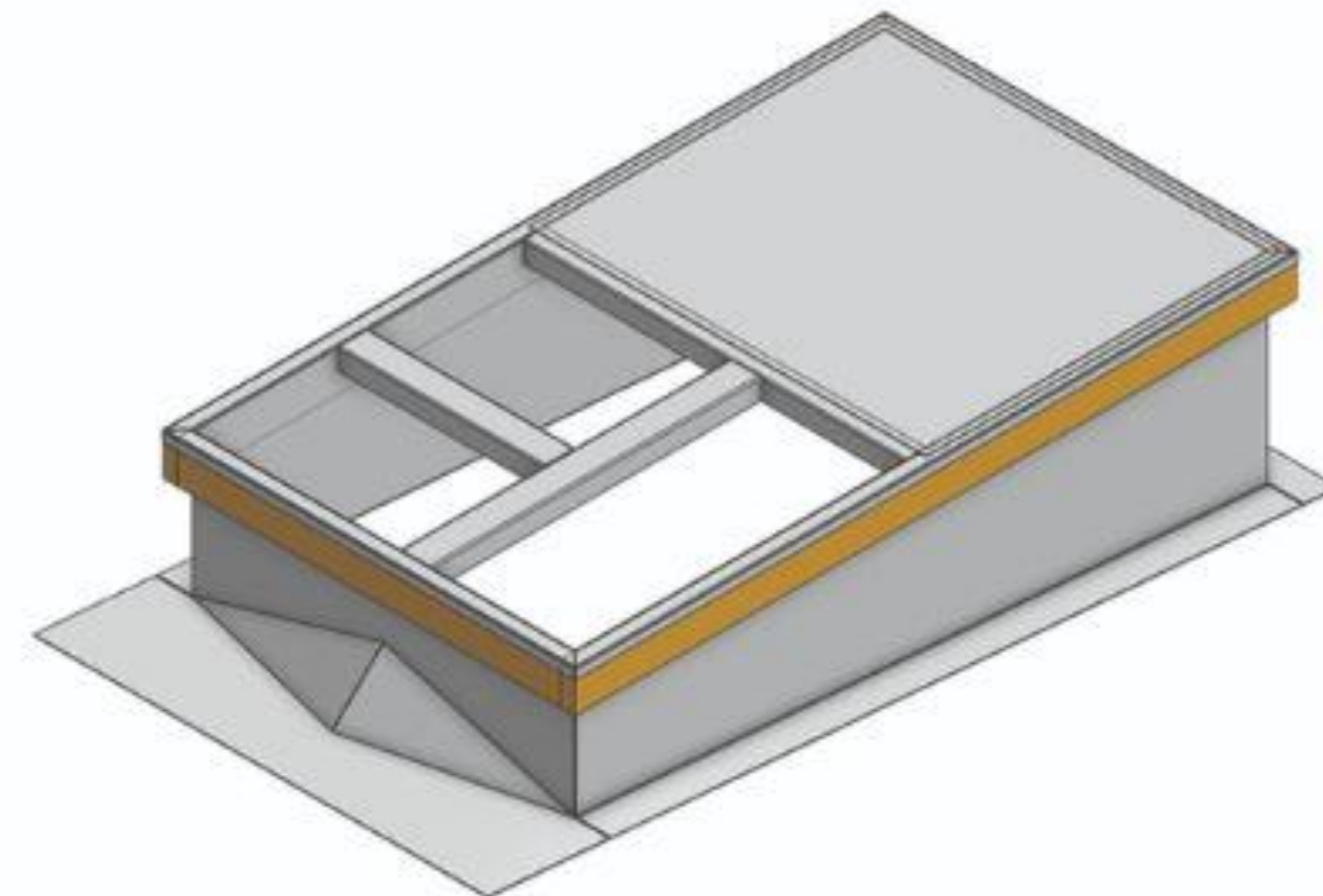
CURB Adapter



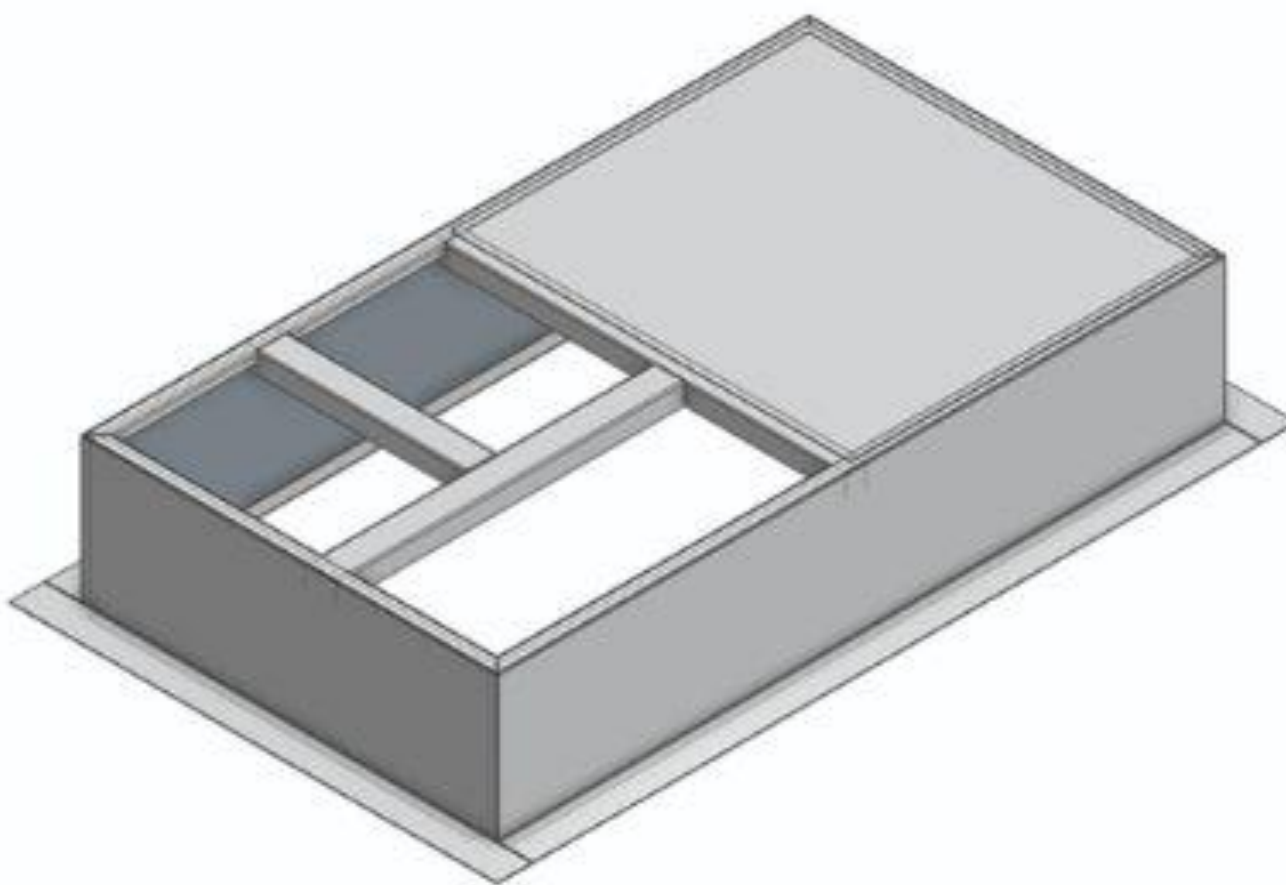
WELDED Curb



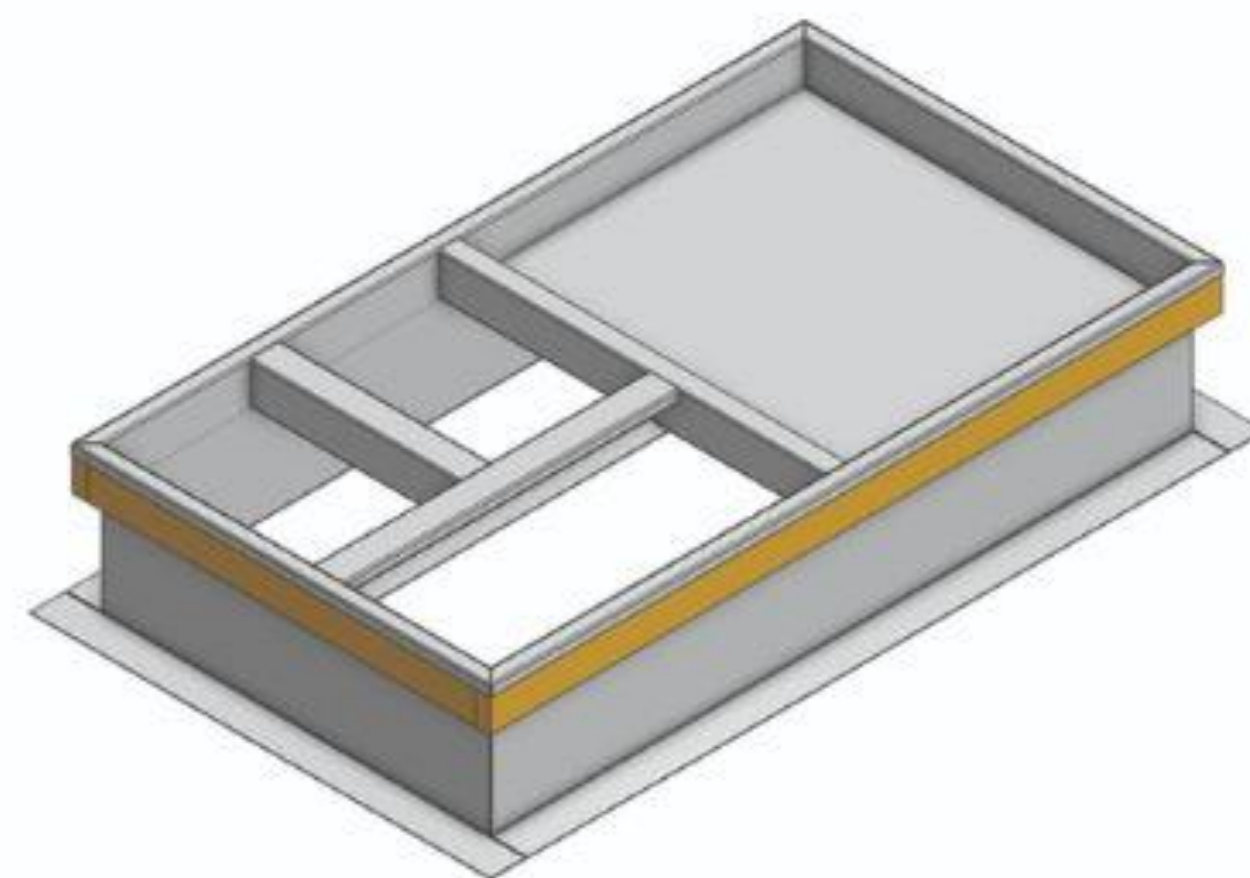
Standard



Pitched Welded Curb

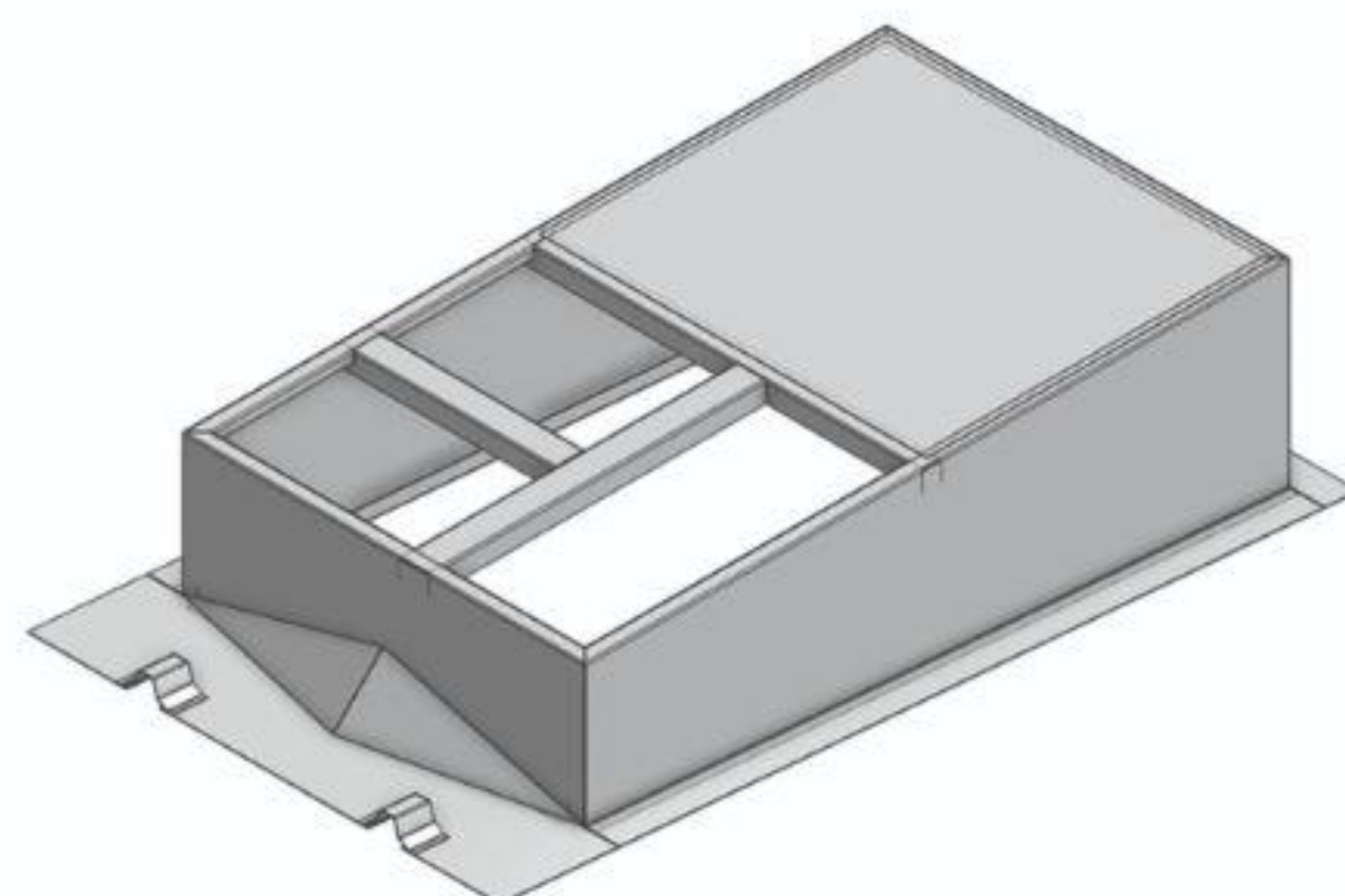
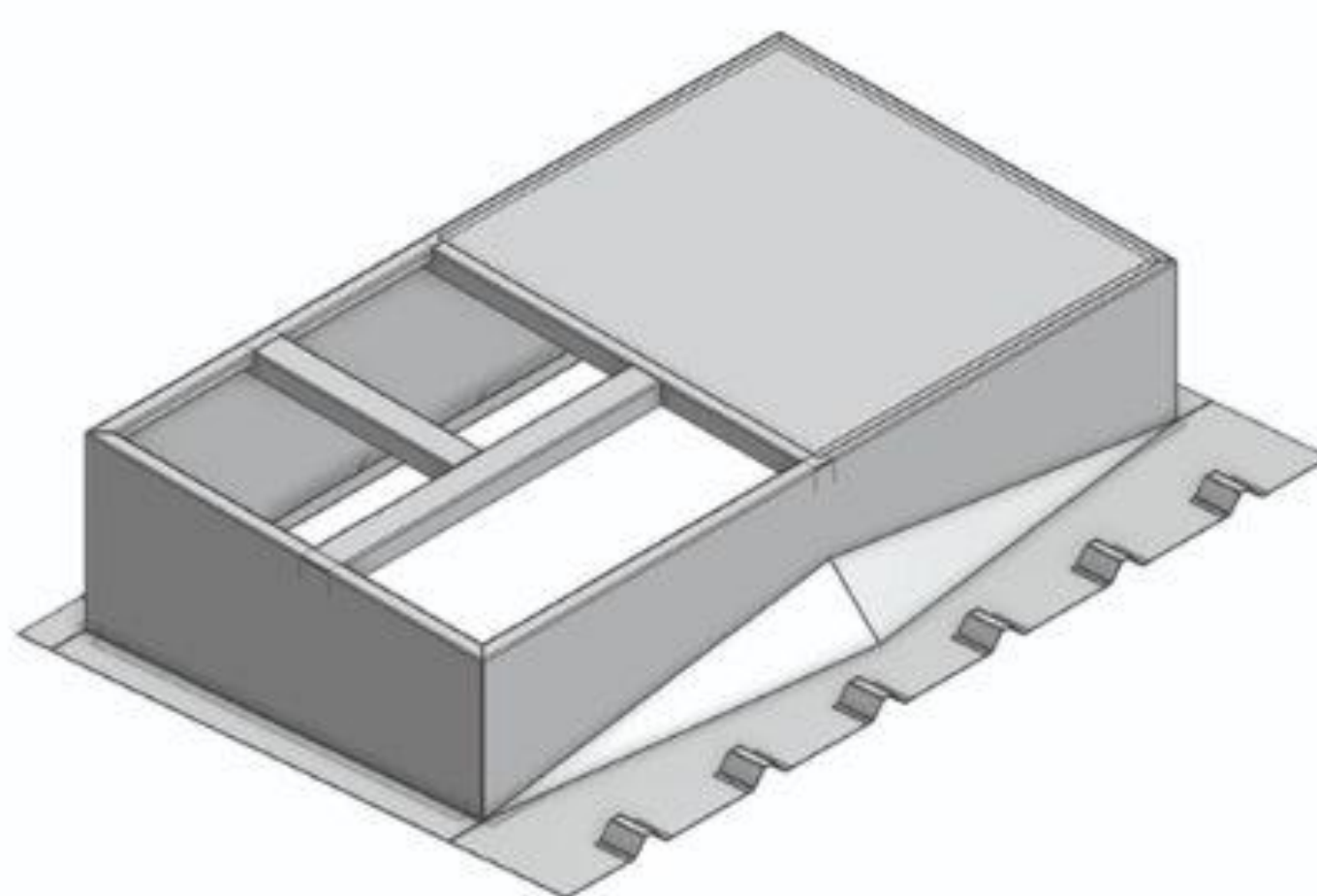


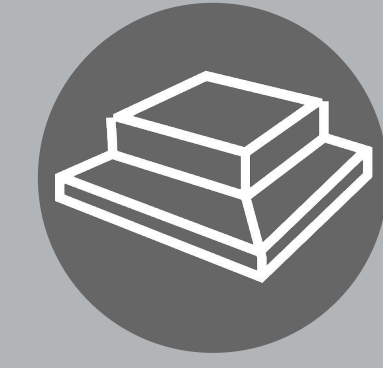
Welded Flanged In Curb (Insulated)



Wind/Seismic Rated Curb

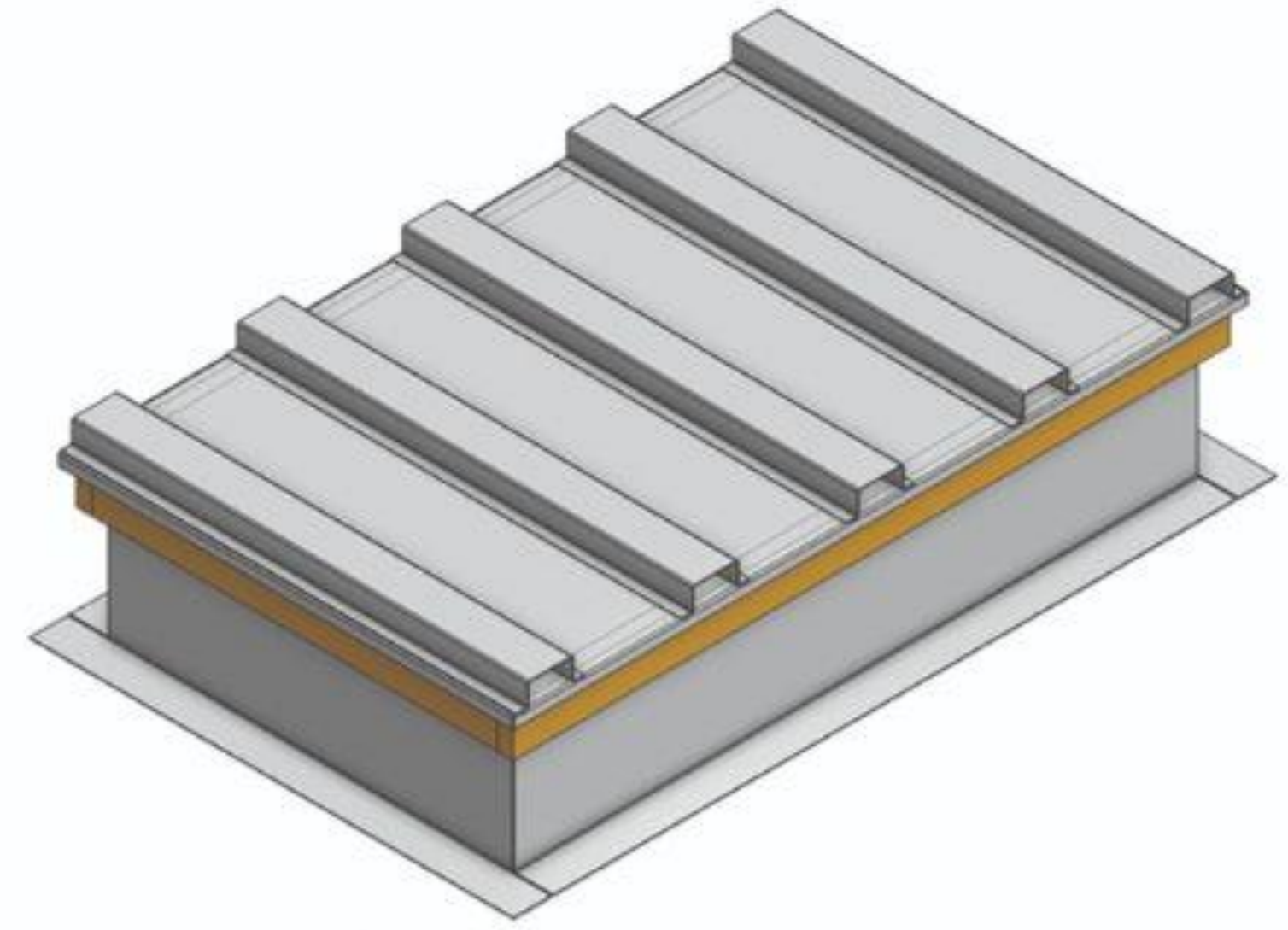
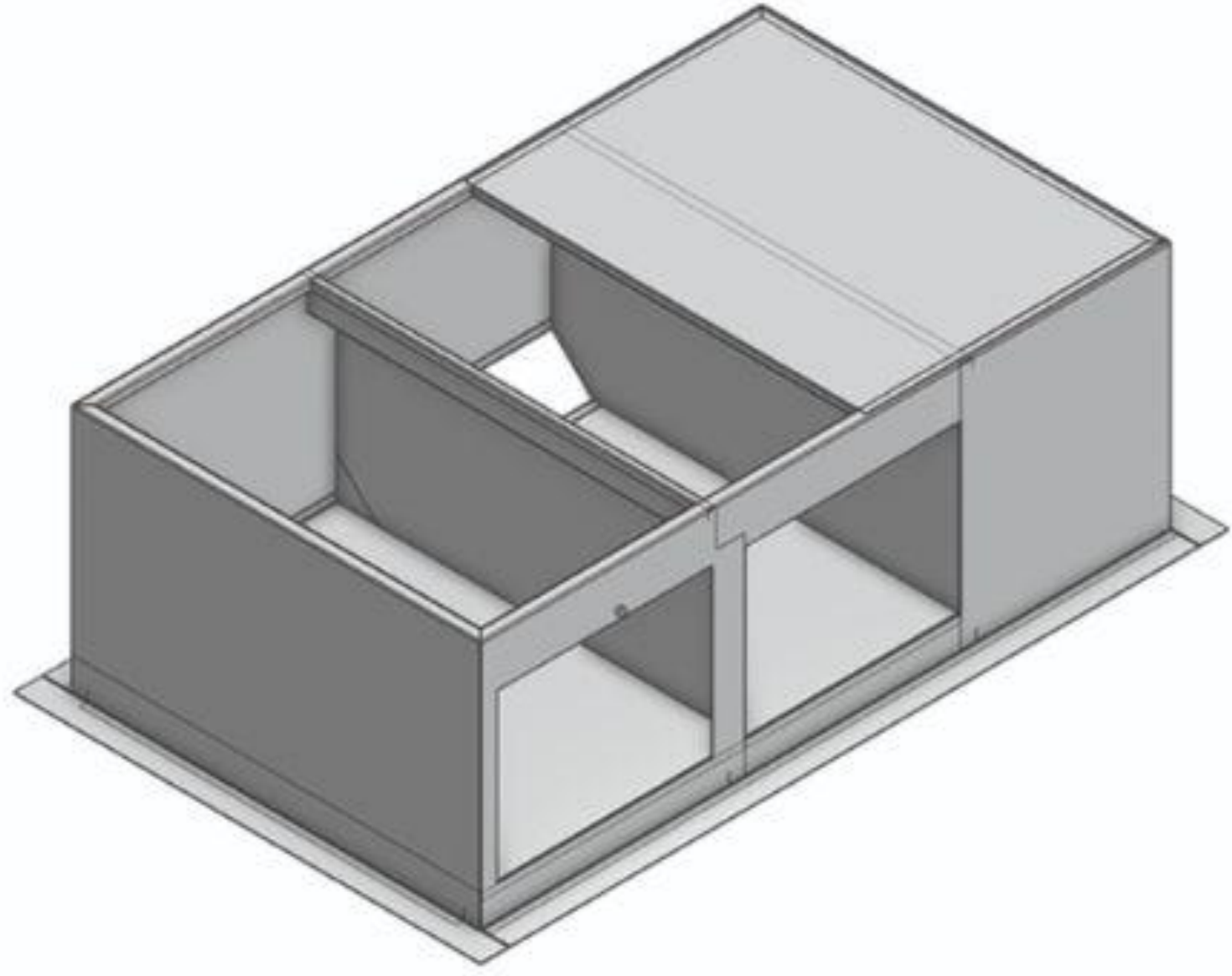
METAL Building Curb



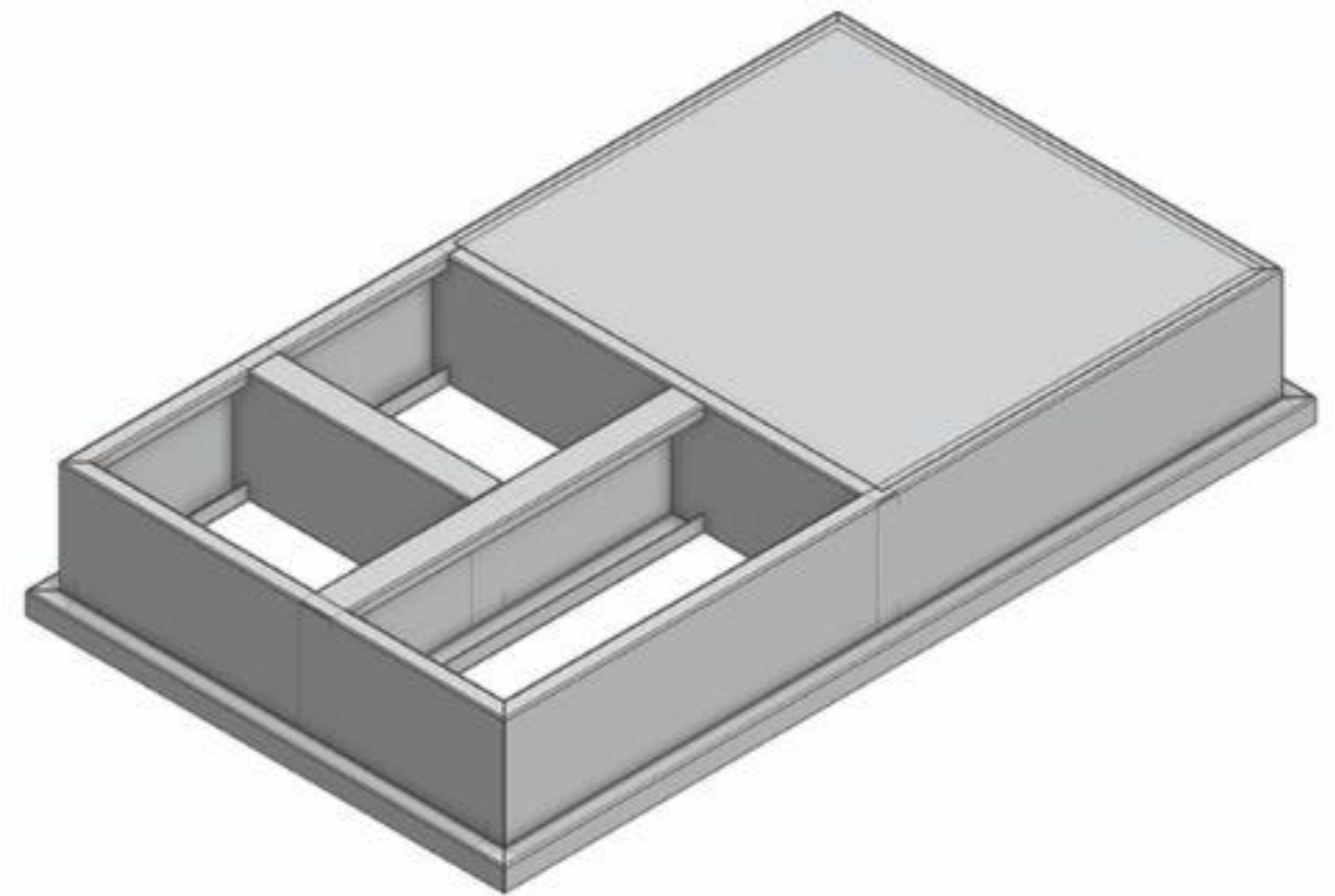
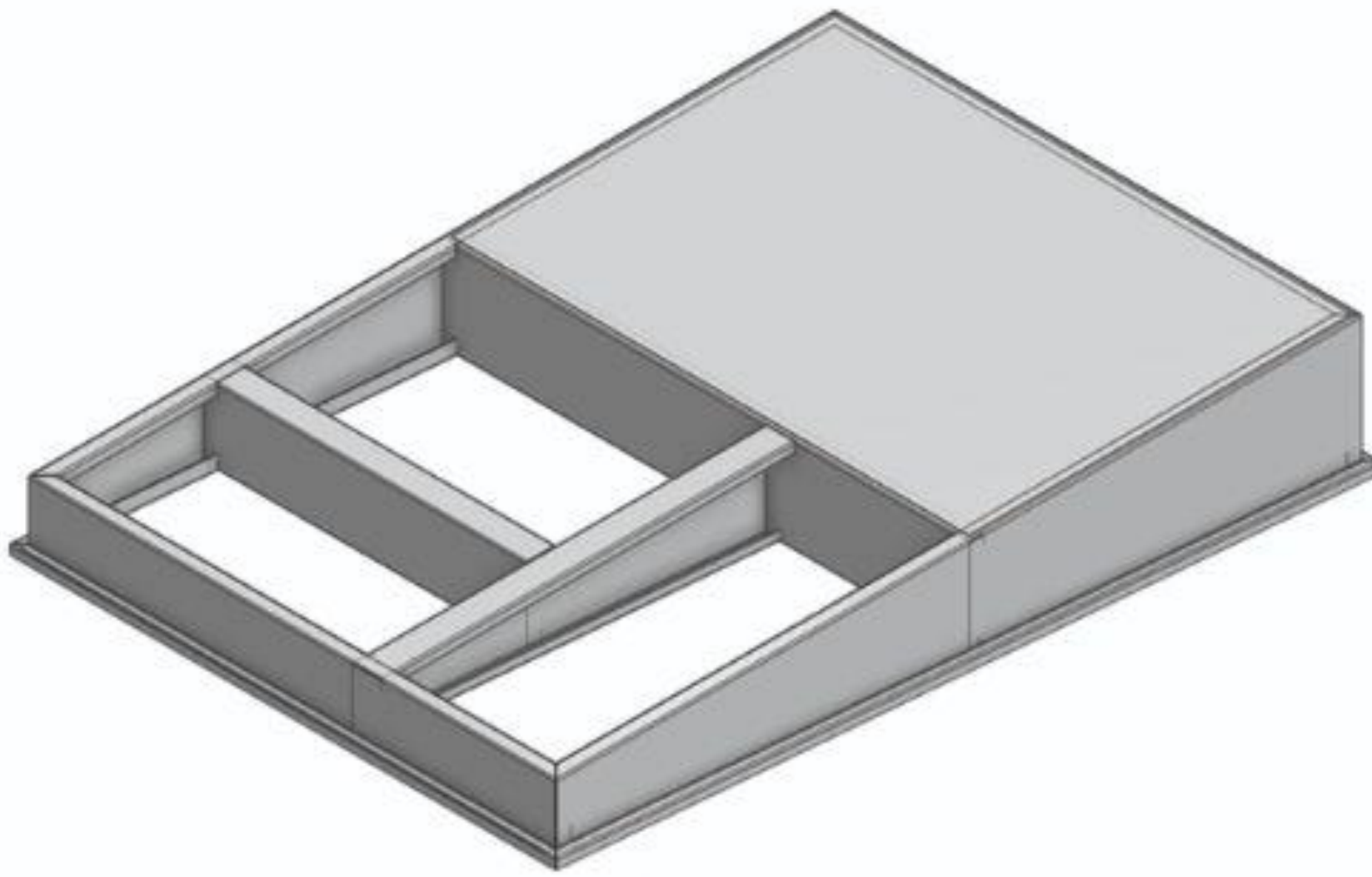


LINE CARD

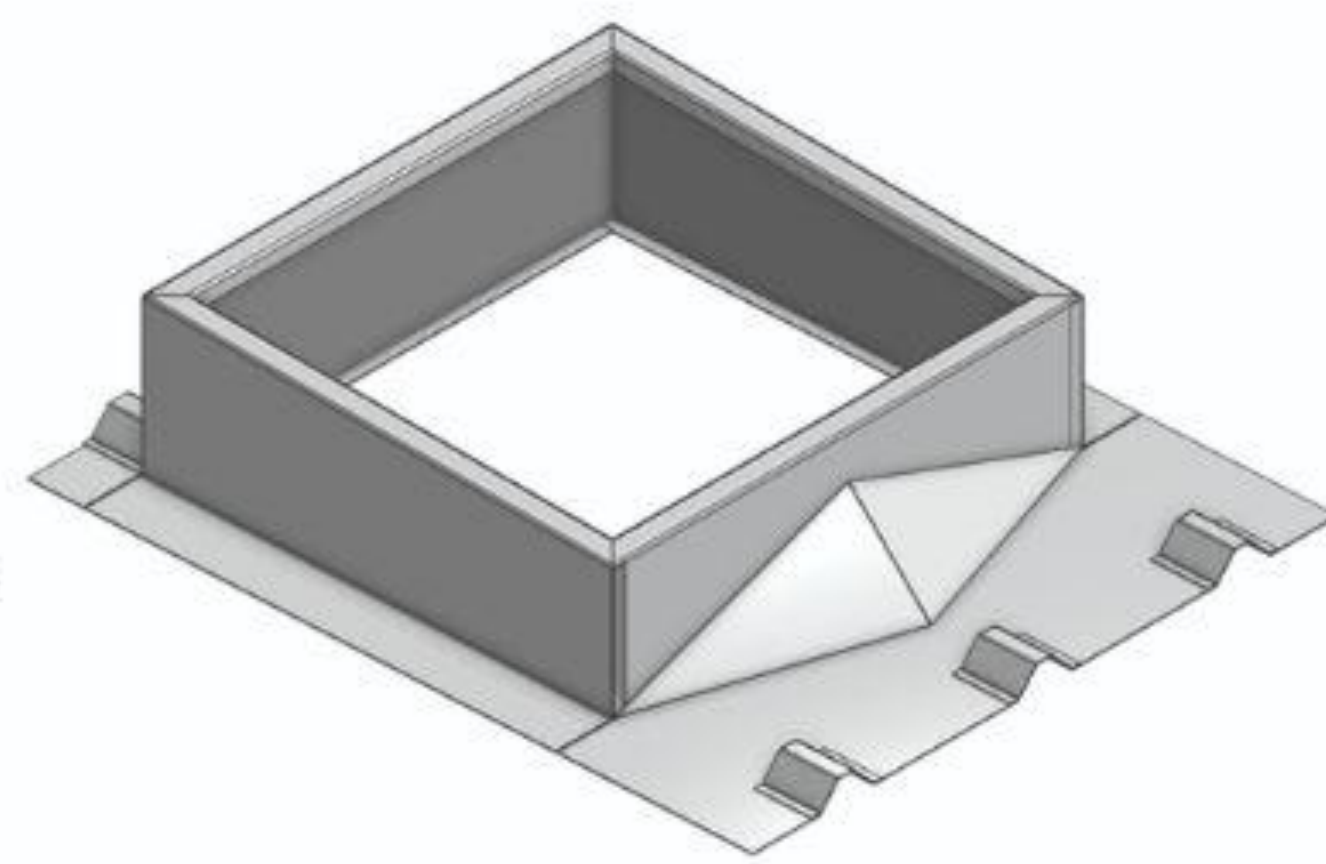
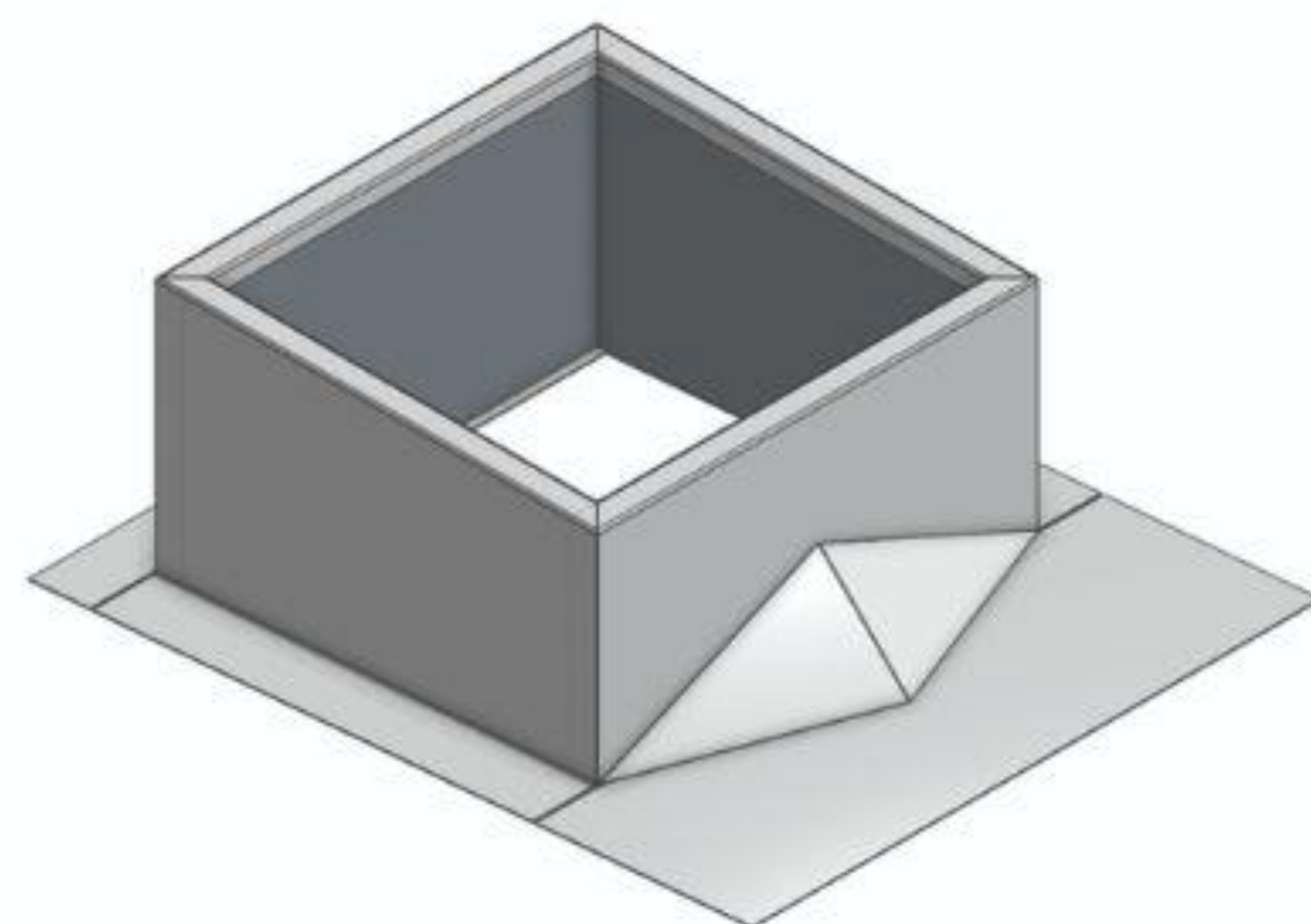
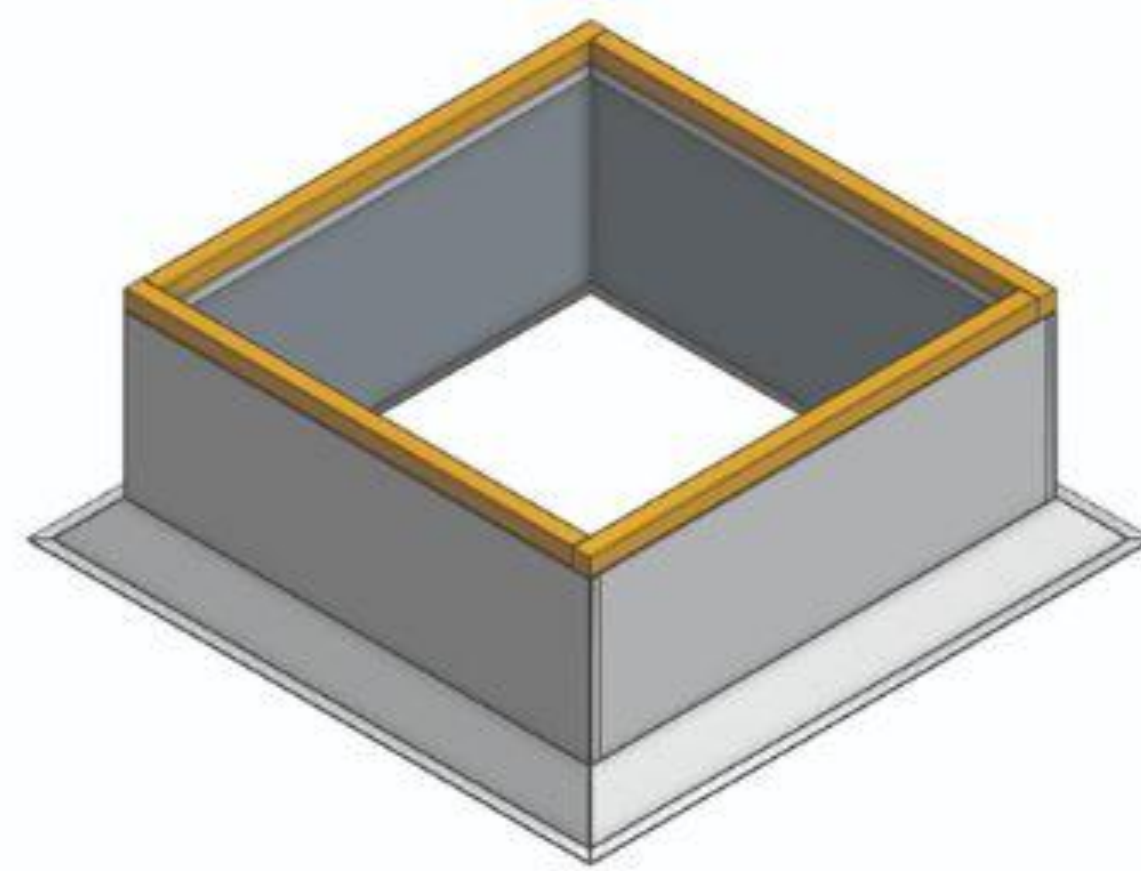
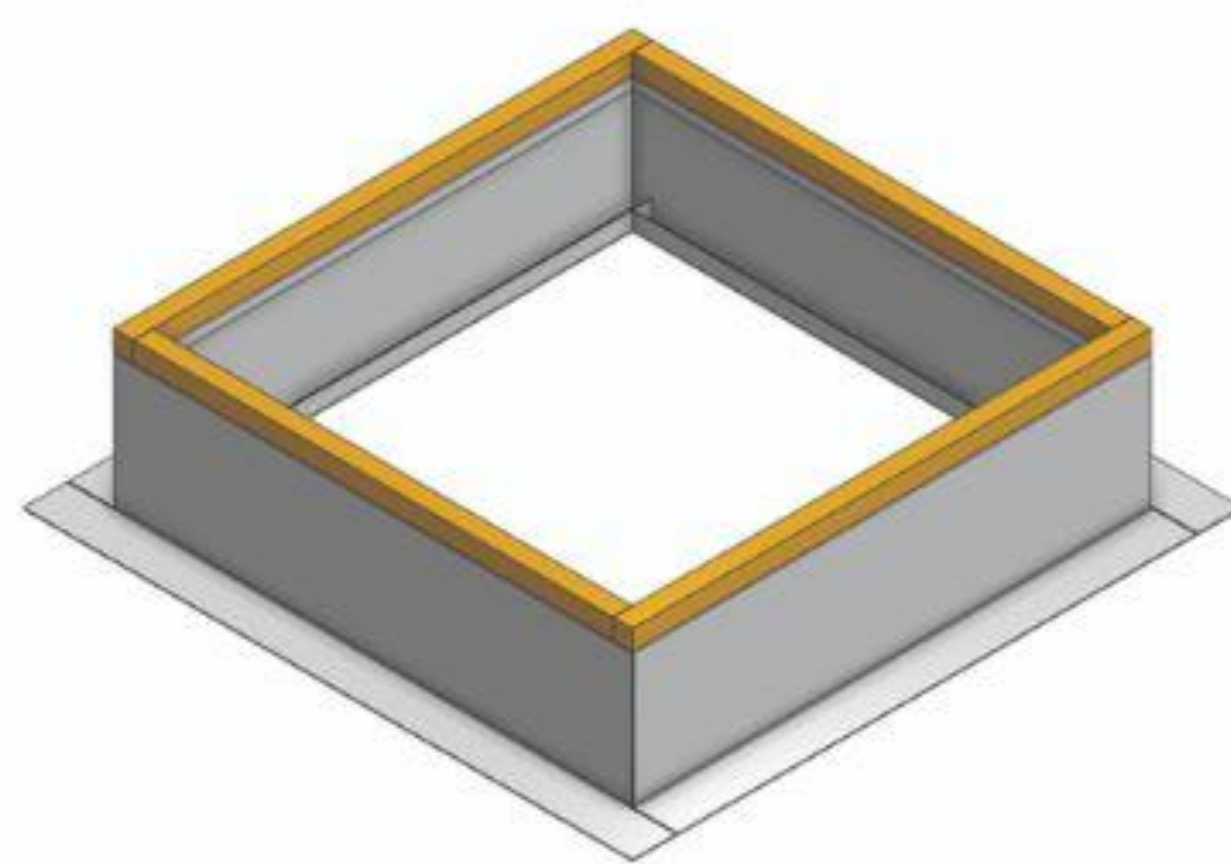
DIRECTIONAL Curb
PLATFORM Curb

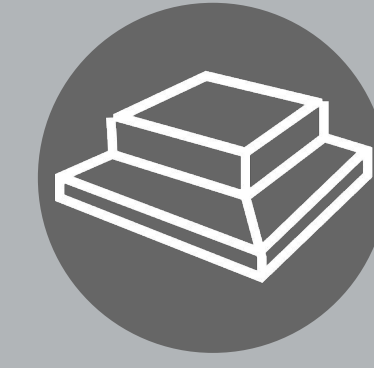


PITCH Corrector
CURB Extension



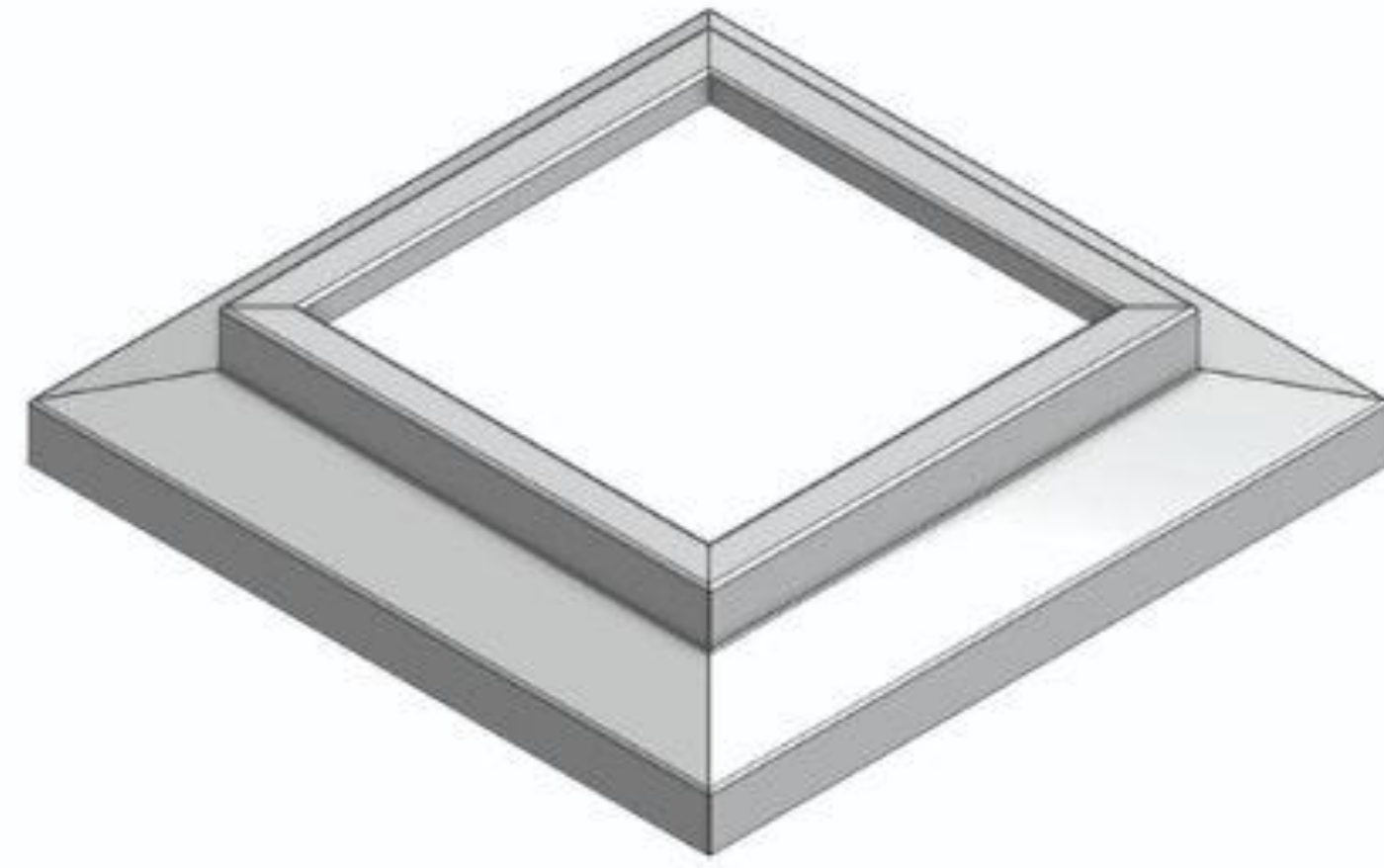
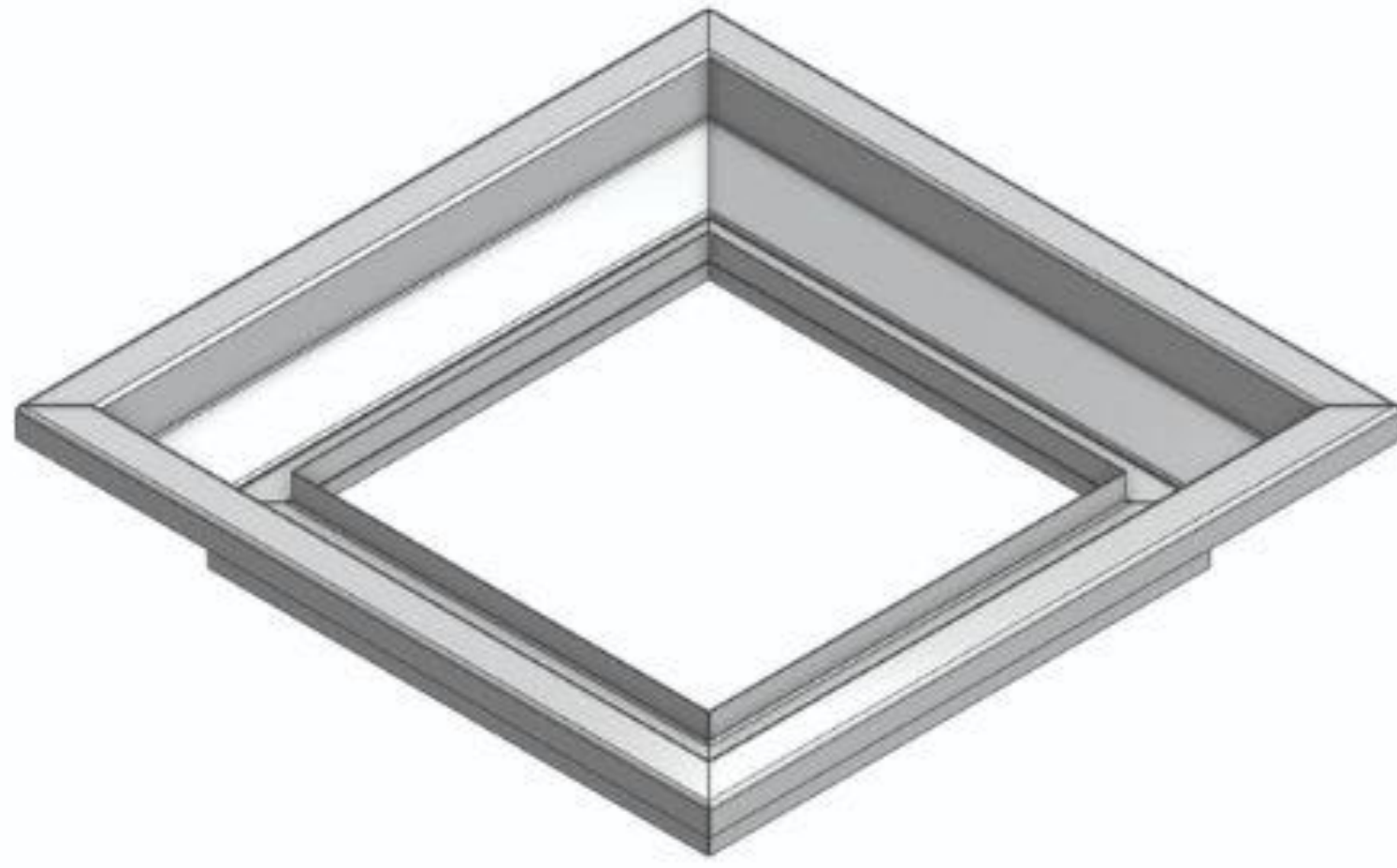
FAN Roof Curbs



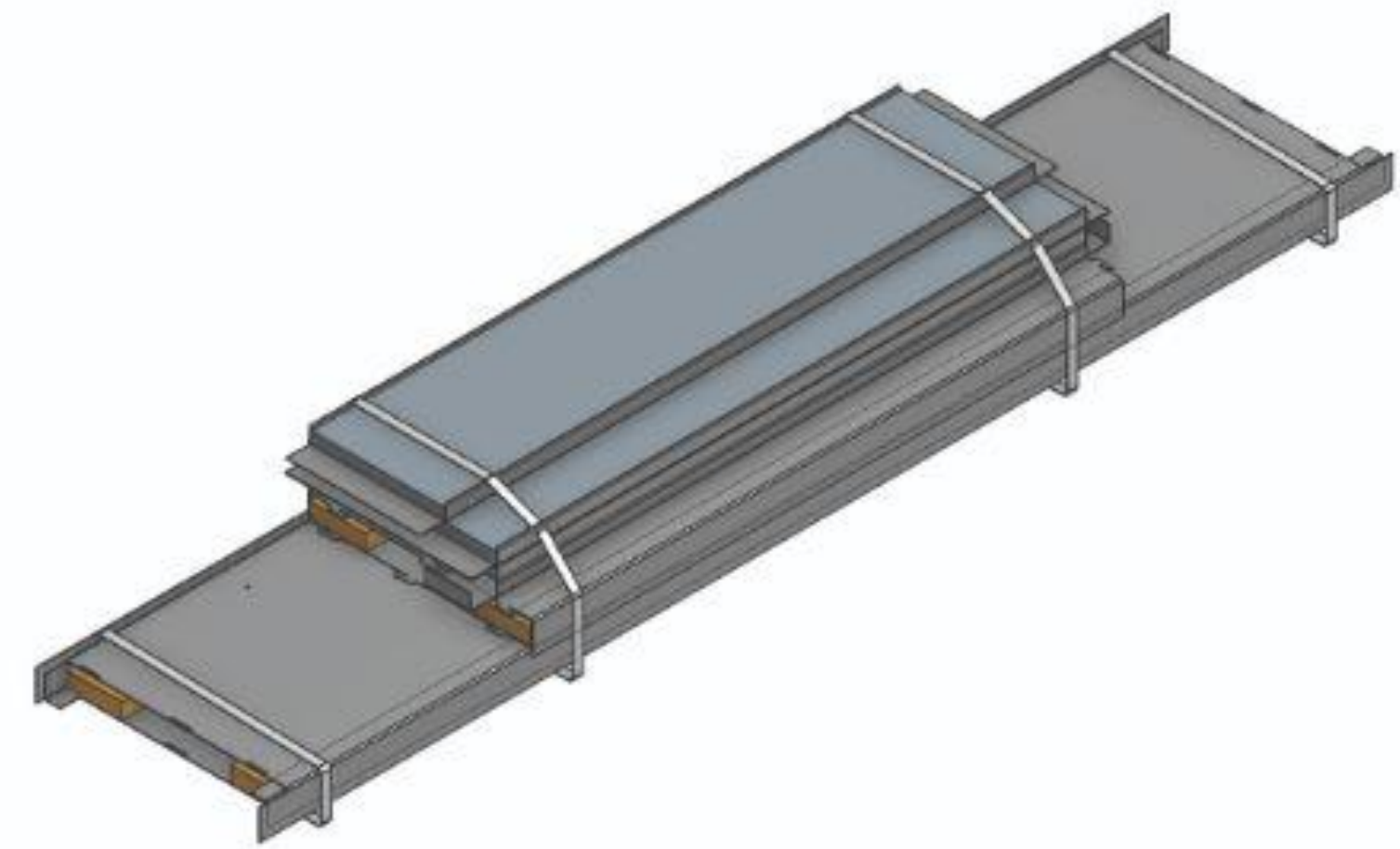
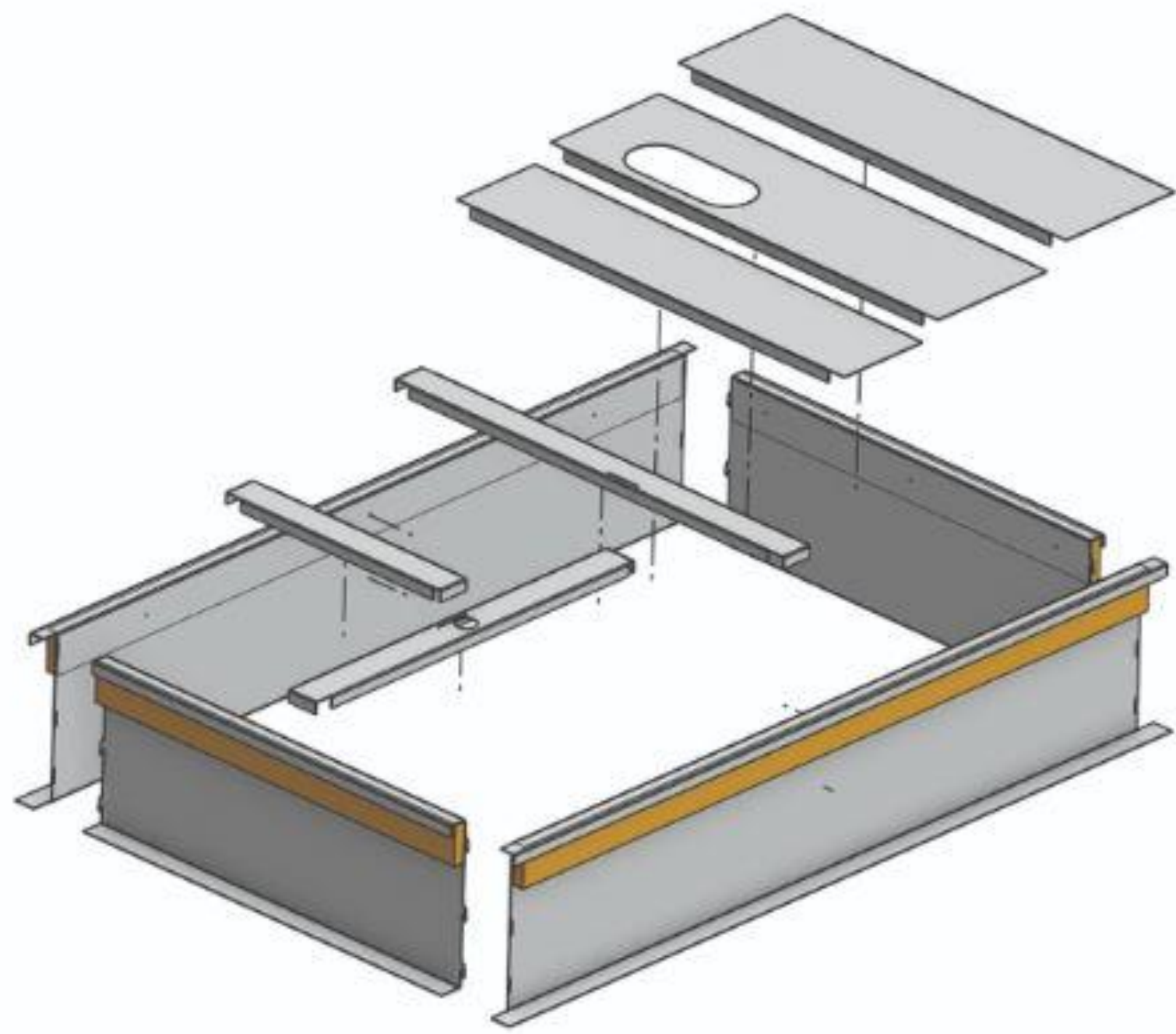


LINE CARD

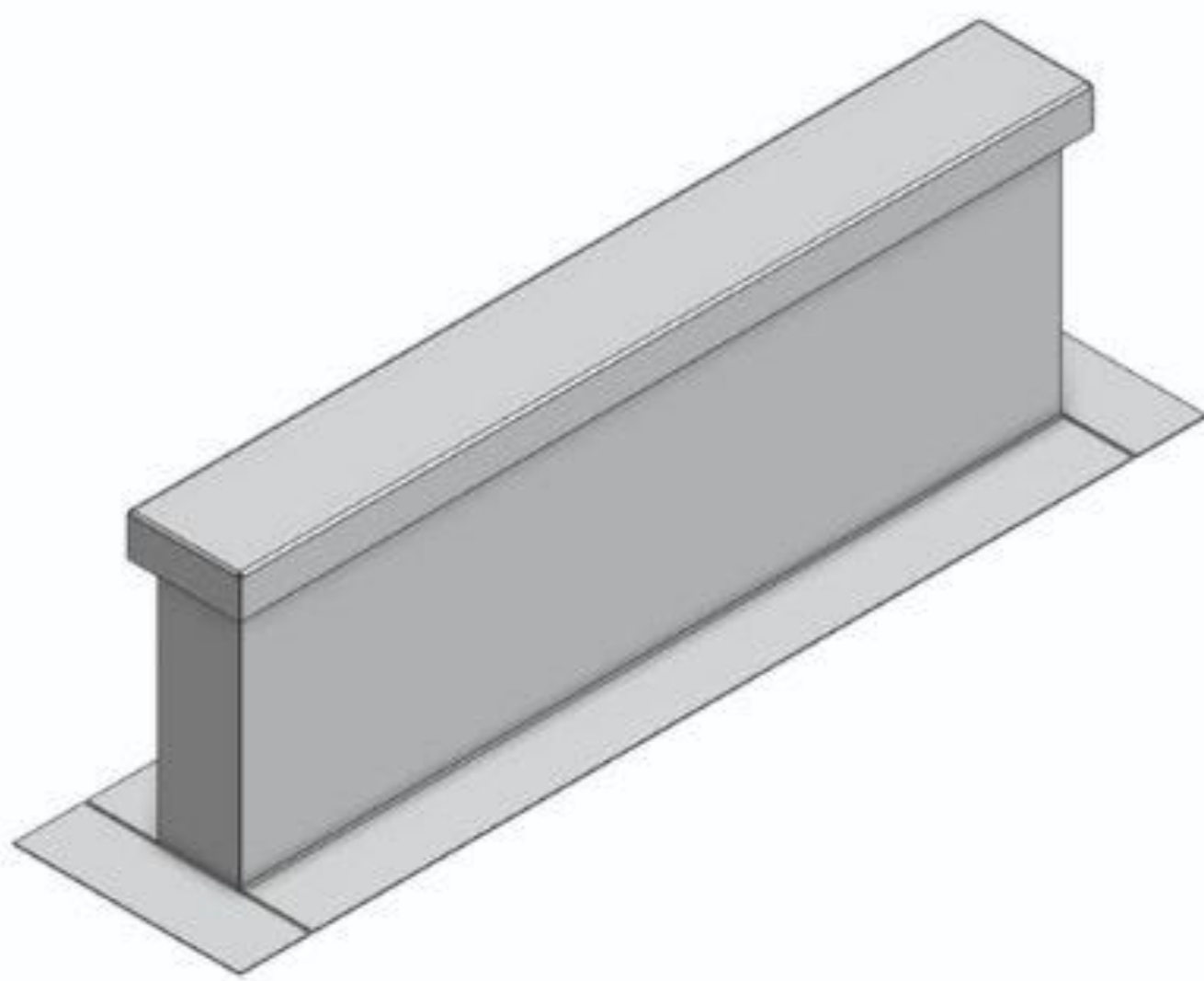
FAN Curb Adapter



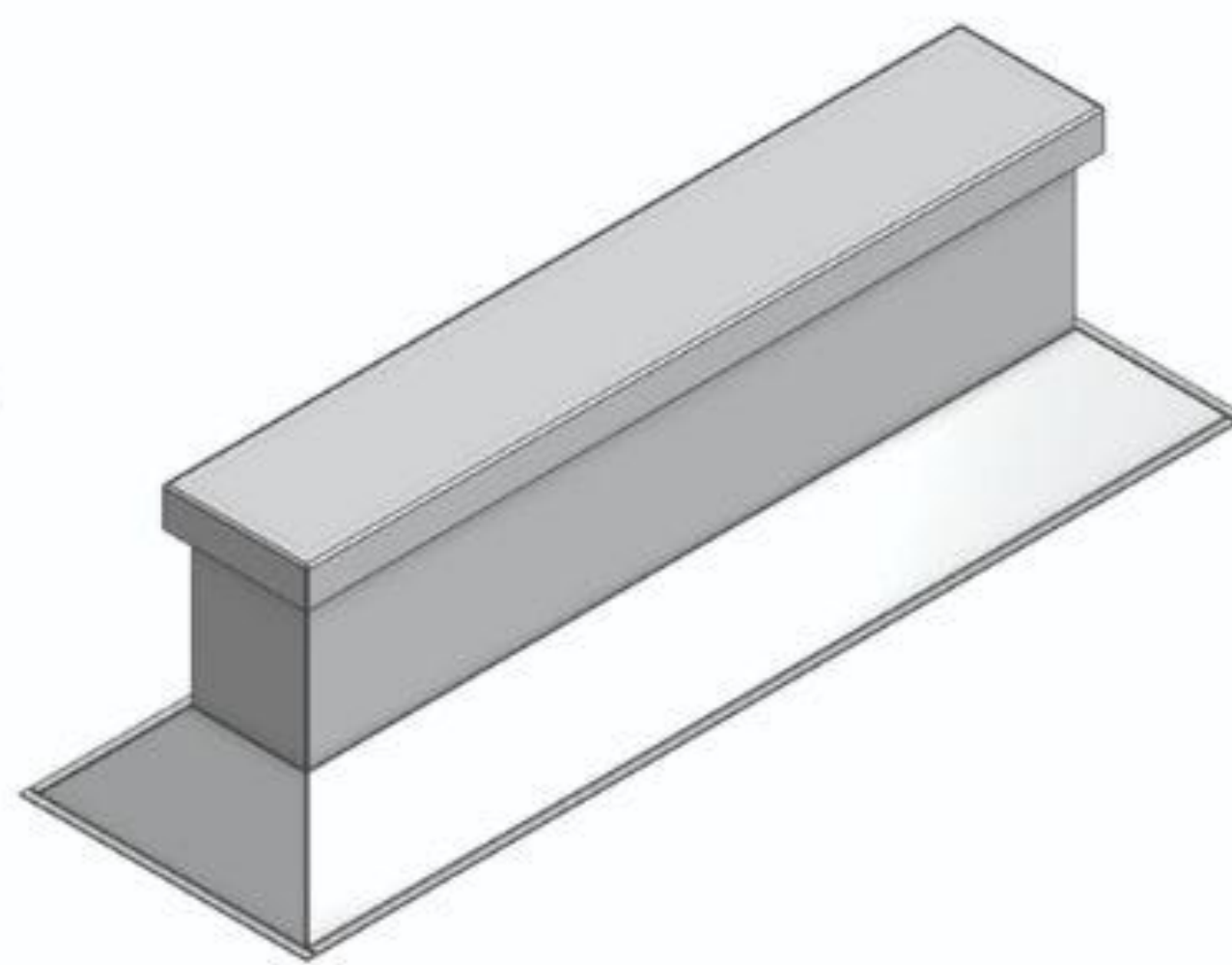
KNOCKDOWN Curb



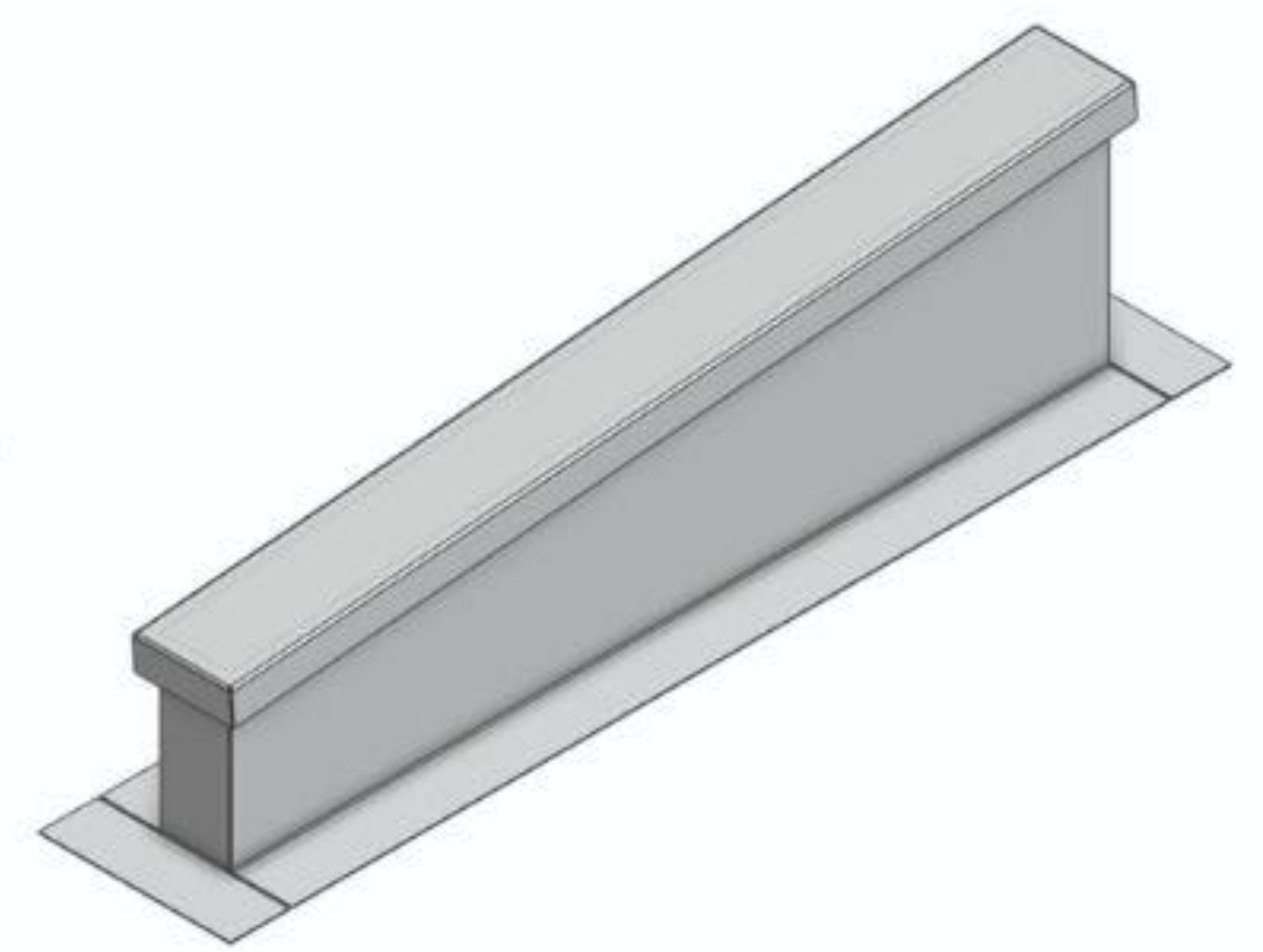
EQUIPMENT Support



Self-flashing Equipment Support

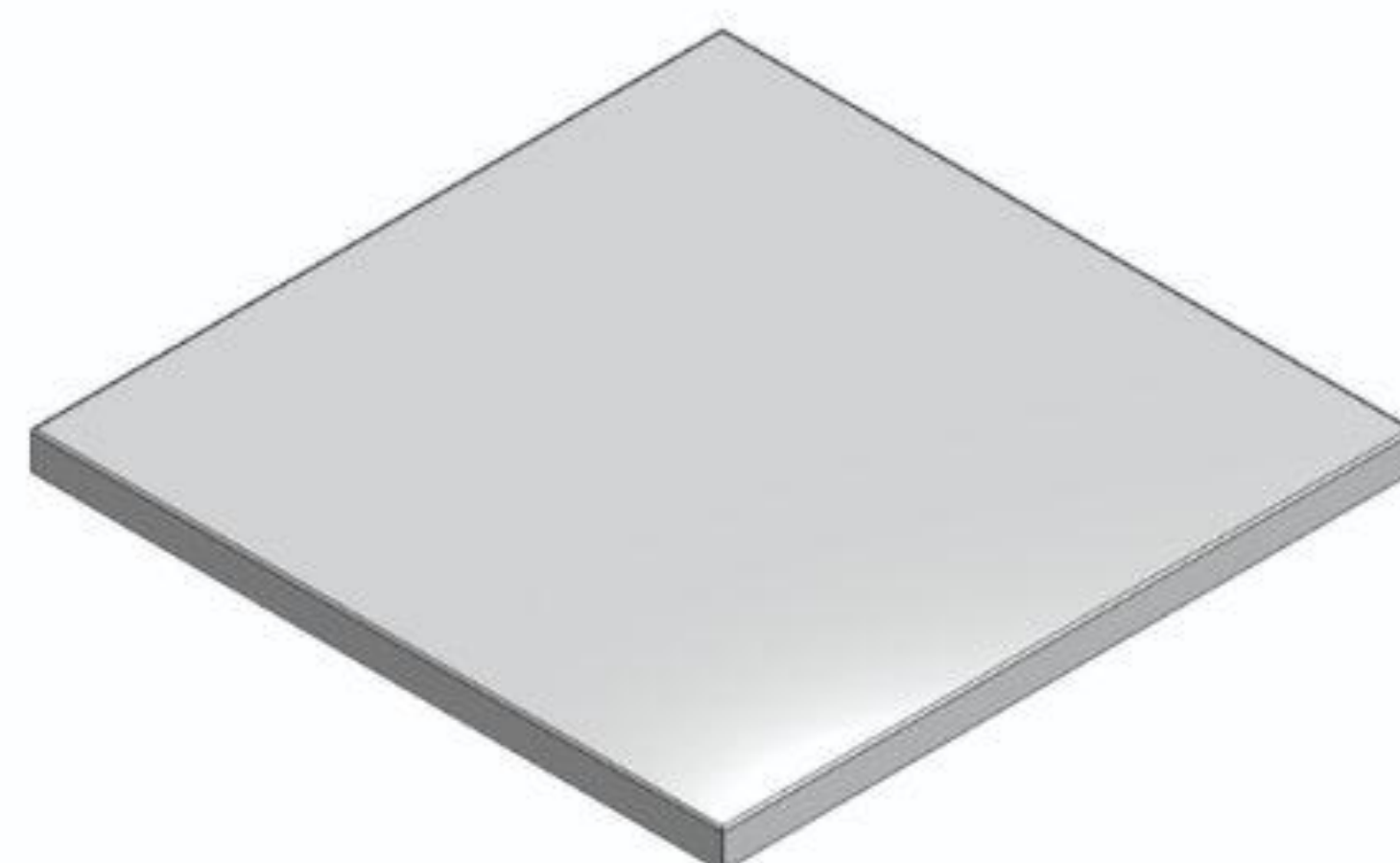
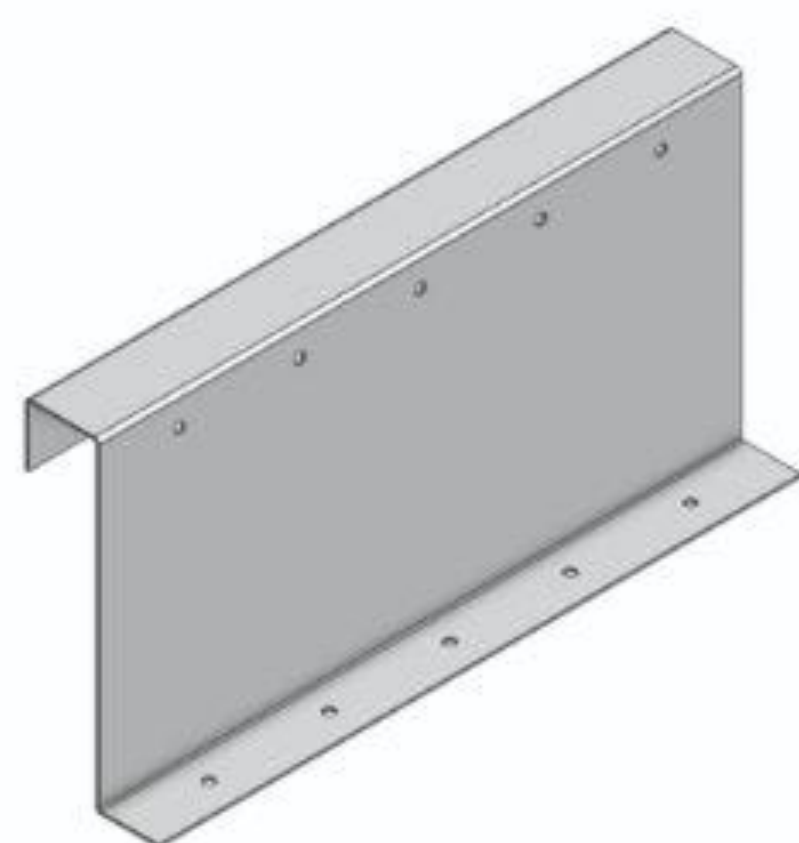


Canted Equipment Support



Pitched Equipment Support (long side)

RESTRAINT Bracket
CURB Cap



Standard